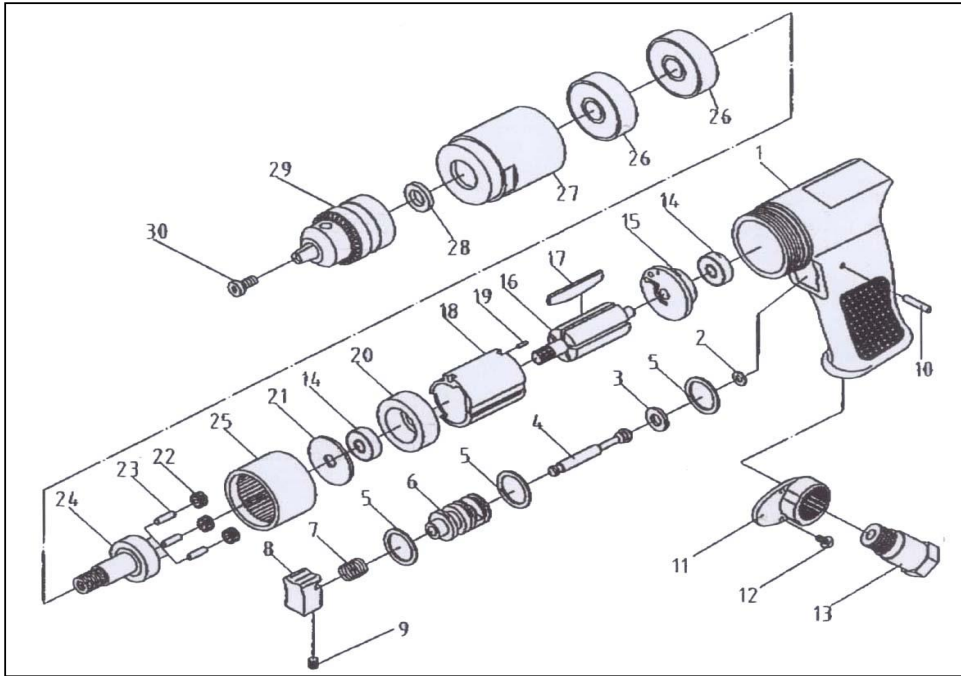


APT401 - 3/8" (10mm) Drill



Ref. #	PCL Part No	Description
29	APS401/CHK	Keyed Chuck (3/8)
29	APS401R/KCK	Keyless Chuck (3/8)