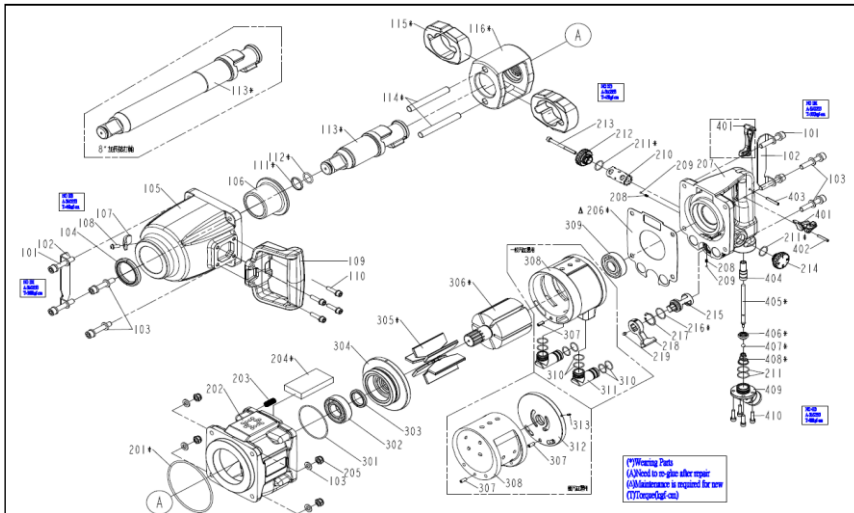


## APT266 - 1" Hercules Impact Wrench 3390Nm



Ref. #	PCL Part No	Description
101	NOT AVAILABLE	BOLT ASSY
<b>102</b>	<b>APS266/PTR</b>	<b>PROTECTOR</b>
103	NOT AVAILABLE	FLAT WASHER
104	NOT AVAILABLE	OIL SEAL
105	NOT AVAILABLE	HAMMER CASE
106	NOT AVAILABLE	HAMMER CASE BUSHING
107	NOT AVAILABLE	PROTECTOR
108	NOT AVAILABLE	HALF ROUND HD.HEX.BOLT UNIT
109	NOT AVAILABLE	HANDLE
110	NOT AVAILABLE	BOLT ASSY
<b>111</b>	<b>APS266/ACR</b>	<b>ANVIL COLLAR</b>
112	NOT AVAILABLE	O - RING
113	NOT AVAILABLE	ANVIL
<b>114</b>	<b>APS266/HPN</b>	<b>HAMMER PINS (2)</b>
<b>115</b>	<b>APS266/HMR</b>	<b>HAMMERS (2)</b>
<b>116</b>	<b>APS266/HFE</b>	<b>HAMMER FRAME</b>
201	NOT AVAILABLE	O - RING
202	NOT AVAILABLE	HOUSING
203	NOT AVAILABLE	THREAD INSERT
<b>204</b>	<b>APS266/MLR</b>	<b>MUFFLER</b>
205	NOT AVAILABLE	LOCK NUT
<b>206</b>	<b>APS266/HGT</b>	<b>HOUSING GASKET</b>
207	NOT AVAILABLE	REAR COVER UNIT
208	NOT AVAILABLE	SPRING
209	NOT AVAILABLE	STEEL BALL
210	NOT AVAILABLE	REGULATOR
211	NOT AVAILABLE	O - RING
212	NOT AVAILABLE	THROTTLE B
213	NOT AVAILABLE	HEX.SOC.HD.BOLT
214	NOT AVAILABLE	THROTTLE A
215	NOT AVAILABLE	REVERSE VALVE
216	NOT AVAILABLE	O - RING
217	NOT AVAILABLE	IN-CONCENTRIC RING
218	NOT AVAILABLE	LEVER
219	NOT AVAILABLE	HEX.SOC.HD.SCREW
301	NOT AVAILABLE	O - RING
302	NOT AVAILABLE	BEARING
303	NOT AVAILABLE	OIL SEAL
304	NOT AVAILABLE	FRONT BEARING PLATE
<b>305</b>	<b>APS266/RBS</b>	<b>ROTOR BLADES (6)</b>
306	NOT AVAILABLE	ROTOR
307	NOT AVAILABLE	SPRING PIN
308	NOT AVAILABLE	CYLINDER
309	NOT AVAILABLE	BEARING
310	NOT AVAILABLE	O - RING
311	NOT AVAILABLE	INLET
<b>401</b>	<b>APS266/TGR</b>	<b>TRIGGER</b>
402	NOT AVAILABLE	SPIRAL PINS
403	NOT AVAILABLE	SPIRAL PINS
404	NOT AVAILABLE	BUSHING
405	NOT AVAILABLE	PIN
406	NOT AVAILABLE	SEAL UNIT
407	NOT AVAILABLE	BALL
408	NOT AVAILABLE	SPRING
409	NOT AVAILABLE	AIR INLET
410	NOT AVAILABLE	BOLT ASSY