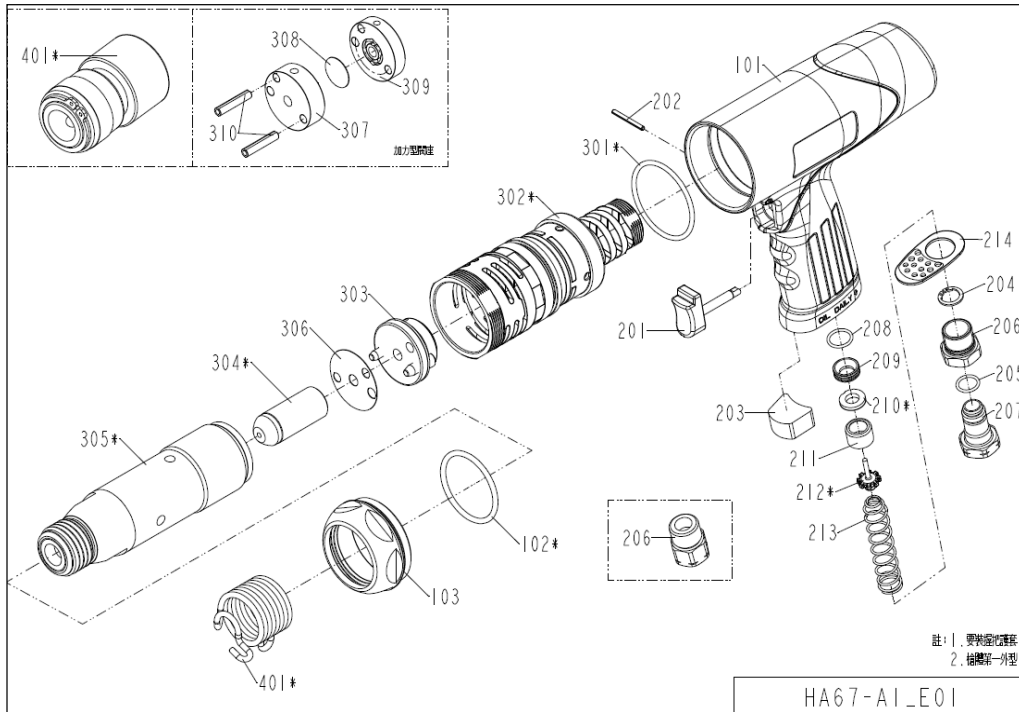


APP570 - Air Hammer (Prestige)



| Ref | PCL part no | Description |
|-----|-------------|-----------------------|
| 306 | APS500/GKT | GASKET |
| 401 | APS500/QCR | QUICK CHANGE RETAINER |